



WHAT IS IT ?

Designed to be located out of sight along with other audiovisual sources it creates a link between infrared based controllers and Rako RF based receivers.

Each unit comes complete with an infrared receiver head located at one end of the unit, under the translucent protective cover. This can be removed and mounted remotely using a 3 core cable, to hide the RAVIR module.

The unit accepts standard Philips RC5 codes. A version is also available that accepts Bang & Olufsen[™] infrared signals.

The RAVIR is an infrared to RF interface to convert infrared control signals to Rakom RF



FLEXIBLE CONTROL

The RAVIR infrared gateway allows scene control from hand held infrared remote controls, multi-room audio systems and other systems that have IR control outputs.

In factory default setting, the unit will control a single room with Scenes 1-4, Off and master raise & lower.

When configured with the RASOFT programming software, it is possible to select 'multi-room' mode and control up to four separate rooms from one RAVIR unit. In 'multiroom' mode it is also possible to raise and lower individual dimmer channels.

Uses Standard Philips RC5 HEX code sets, compatible with the Philips Pronto Edit, Marantz WizIT and Nevo Studio software suites.

A special order version is available with a receiver tuned for Bang & Olufsen[™] infrared handsets.

DATA SHEET

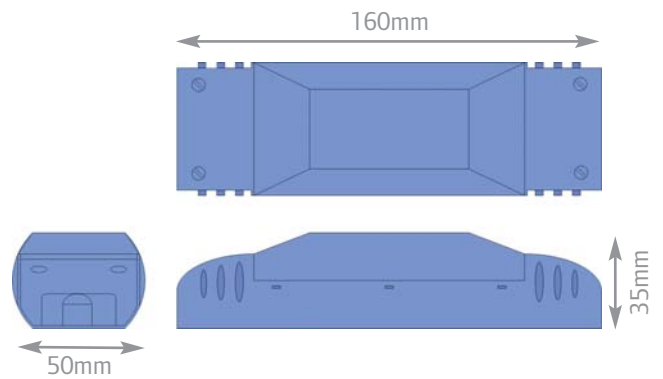
RAVIR

INFRARED TO RF GATEWAY

TECHNICAL DATA

| | |
|----------------|---|
| DIMENSIONS | 160x50x36mm |
| INPUT SUPPLY | 12V DC regulated (RAPSU or equiv.) |
| WEIGHT | 300g |
| HOUSING | UL V0 material |
| CLIMATE RANGE | Temperature +2C to +40C Humidity +5% to 95% non condensing |
| CONNECTIONS | 2 way screw terminal for power supply 3 way screw terminal for infrared receiver head (included) |
| TERMINAL SIZES | 2.5mm ² |
| STANDARDS | Emissions - EN61000-6-3 : 2001 Immunity - EN61000-6-1 : 2001 LVD - EN 60950-1 :1992 |
| COMMUNICATION | Rakom coded fm radio, 433.9MHz |
| MEMORY | Flash memory (non volatile) |

MECHANICAL DATA



CONNECTION DETAILS

